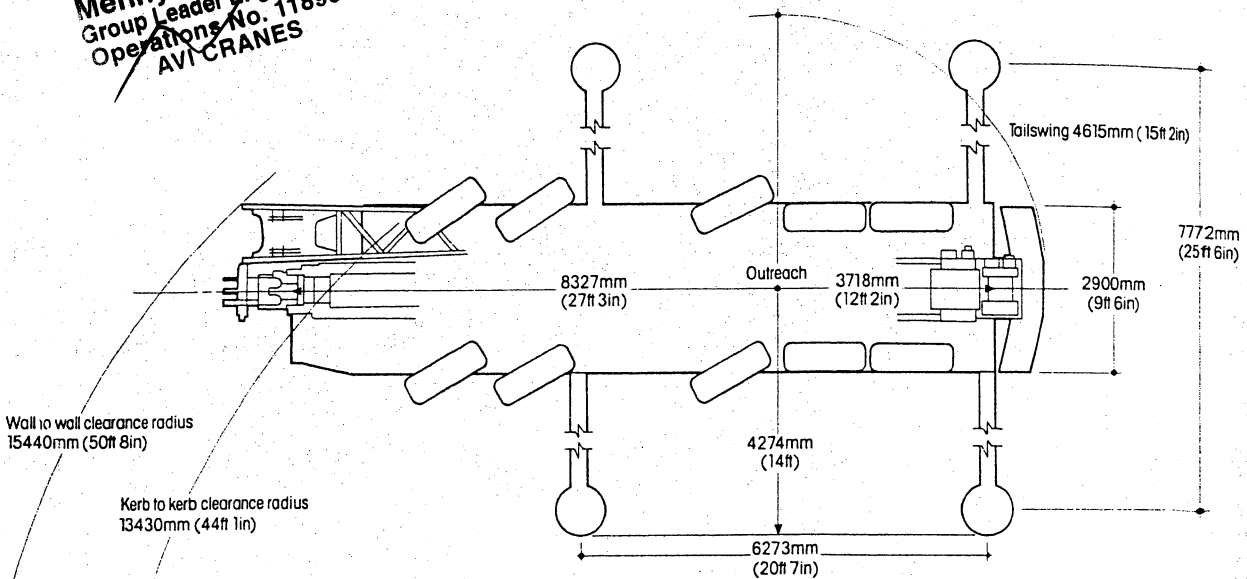


Menny Ben Shimon
 Group Leader Engineering
 Operations No. 118953
 AVI CRANES



Constant improvement and engineering progress make it necessary that the company reserves the right to make specification, equipment and price changes without notice. Illustrations shown may include optional equipment and accessories and may not include all standard equipment. Optional equipment is designated by (*) in specifications folder.

Specification No GC/990E/1186/8M Printed in England CSA 1607

GROVE COLES

Grove Coles Limited
 International Sales and Marketing
 Moorhall Road, Harefield, Uxbridge
 Middlesex UB9 6QG, England
 Telephone: Harefield (089 582) 3777
 Telex: 21619 CRANES G

6900 kg counterweight

Lifting capacities on outriggers - 360°;
 Kran abgestützt - 360°; Gegengewicht 6900 kg
 Capacités de levage 'machine calée' sur 360 degrés; contrepoids 6900 kg

Radius Ausladung Rayon (m)	Main boom length (m) Länge des Hauptauslegers (m) Longueur de Mèche principale (m)									
	11.00	12.80	15.50	18.30	21.00	23.80	26.50	29.30	32.00	34.60
3.0	00.00	55.00	61.60	48.77	46.70					
3.5	73.60	64.97	49.00	46.50	45.76	44.00				
4.0	67.85	53.52	48.10	44.00	43.30	43.00				
4.5	60.47	52.30	46.25	41.75	41.12	39.00	35.00			
5.0	54.17	51.35	45.00	39.00	38.80	36.50	33.00			
6.0	44.66	44.55	42.00	35.90	35.15	32.80	29.50	28.10	25.32	22.00
7.0	37.52	37.52	36.50	32.77	31.72	30.00	26.50	25.00	23.25	21.20
8.0	31.77	31.77	31.65	30.10	28.92	28.00	23.60	22.70	21.25	20.70
9.0		27.37	27.37	26.42	25.40	24.00	21.42	20.55	18.67	18.00
10.0		23.55	23.55	23.55	22.62	21.80	19.60	18.72	17.87	16.60
12.0			18.37	18.37	18.37	17.62	16.70	15.85	15.00	13.00
14.0				14.25	14.25	14.25	14.17	13.65	12.85	11.30
16.0				10.82	10.82	10.82	10.82	10.82	10.82	9.10
18.0					9.06	9.06	9.06	9.06	9.08	7.90
20.0						7.46	7.46	7.46	7.46	6.09
23.0							6.42	6.42	6.42	6.42
26.0								4.00	4.00	4.00
29.0									2.82	2.82
32.0										1.85

12500 kg counterweight

Lifting capacities on outriggers - 360°;
 Kran abgestützt - 360°; Gegengewicht 12500 kg
 Capacités de levage 'machine calée' sur 360 degrés; contrepoids 12500 kg

Radius Ausladung Rayon (m)	Main boom length (m) Länge des Hauptauslegers (m) Longueur de Mèche principale (m)									
	11.00	12.80	15.50	18.30	21.00	23.80	26.50	29.30	32.00	34.60
3.0	00.00	65.00	61.60	48.77	46.70					
3.5	73.60	64.97	49.00	46.50	45.76	44.00				
4.0	67.85	53.52	48.10	44.00	43.30	43.00				
4.5	62.80	52.30	46.25	41.75	41.12	39.00	35.00			
5.0	58.25	51.35	45.00	39.00	38.80	36.50	33.00			
6.0	48.02	45.05	42.00	35.90	35.15	32.80	29.50	28.10	25.32	22.00
7.0	40.50	39.15	36.50	32.77	31.72	30.00	26.50	25.00	23.25	21.20
8.0	34.75	34.65	31.65	30.10	28.92	28.00	23.60	22.70	21.25	20.70
9.0		30.55	28.07	26.42	25.40	24.00	21.42	20.55	18.67	18.00
10.0		26.65	25.50	23.60	22.62	21.80	19.60	18.72	17.87	16.60
12.0			20.92	18.72	18.40	17.82	16.70	15.85	15.00	13.00
14.0				18.92	15.76	14.77	14.17	13.65	12.85	11.30
16.0				13.75	13.75	12.85	12.10	11.60	11.12	9.10
18.0					10.87	10.87	10.87	10.87	10.87	9.10
20.0						8.46	8.46	8.46	8.46	7.46
23.0							7.01	7.01	7.01	7.01
26.0								5.31	5.31	5.31
29.0									4.06	4.06
32.0										2.82

Lifting capacities on outriggers - 360°;
 34.60 m boom plus telescopic offsettable Swingaway
 Kran abgestützt - 360°; Gegengewicht: 6900 kg
 34.60 m Ausleger plus Auslegerverlängerung teleskopierbar
 Capacités de levage 'machine calée' sur 360 degrés; contrepoids 6900 kg
 Flèche principale de 34.60 m avec extension treillis télescopique

Radius (m) Ausladung (m) Rayon (m)	10.00 m extension			14.80 m extension			17.70 m extension			
	Offset Slew Offset			Offset Slew Offset			Offset Slew Offset			
	7°	15°	30°	7°	15°	30°	7°	15°	30°	
8.3	11.10									
9.0	10.71									
10.0	10.13	7.52		7.50			5.00			
12.00	8.86	6.63	5.44	6.50	5.00		4.75			
14.00	7.32	6.08	4.98	5.88	4.88	3.60	4.98	4.89		
18.00	6.32	4.43	3.93	4.20	3.62	3.15	3.65	3.15	2.76	
20.00	5.40	4.00	3.53	3.75	3.20	2.85	3.22	2.85	2.50	
22.00	4.65	3.66	3.20	3.30	2.90	2.60	2.90	2.65	2.30	
24.00	4.13	3.20	2.93	2.95	2.60	2.40	2.60	2.35	2.10	
26.00	3.58	2.90	2.66	2.65	2.40	2.20	2.35	2.15	1.90	
28.00	3.19	2.60	2.42	2.40	2.15	2.00	2.13	1.95	1.70	
30.00	2.84	2.34	2.20	2.15	1.97	1.85	1.92	1.76	1.60	
32.00	2.32	2.13	2.00	1.95	1.80	1.70	1.75	1.62	1.50	
34.00	1.90	1.80	1.80	1.75	1.66	1.55	1.60	1.46	1.40	
36.00	1.29	1.40	1.40	1.62	1.50	1.40	1.45	1.35	1.30	
38.00				1.45	1.35	1.30	1.32	1.25	1.20	
40.00					1.25	1.20	1.20	1.15	1.10	

Lifting capacities on outriggers - 360°;
 34.60 m boom plus telescopic offsettable Swingaway
 Kran abgestützt - 360°; Gegengewicht: 12500 kg
 34.60 m Ausleger plus Auslegerverlängerung teleskopierbar
 Capacités de levage 'machine calée' sur 360 degrés; contrepoids 12500 kg
 Flèche principale de 34.60 m avec extension treillis télescopique

Radius (m) Ausladung (m) Rayon (m)	10.00 m extension			14.80 m extension			17.70 m extension			
	Offset Slew Offset			Offset Slew Offset			Offset Slew Offset			
	7°	15°	30°	7°	15°	30°	7°	15°	30°	
8.3	11.10									
9.0	10.71									
10.0	10.13	7.52		7.50			5.00			
12.00	8.86	6.63	5.44	6.50	5.00		4.75			
14.00	7.32	6.08	4.98	5.88	4.88	3.60	4.98	4.89		
18.00	6.32	4.43	3.93	4.20	3.62	3.15	3.65	3.15	2.76	
20.00	5.40	4.00	3.53	3.75	3.20	2.85	3.22	2.85	2.50	
22.00	4.65	3.66	3.20	3.30	2.90	2.60	2.90	2.65	2.30	
24.00	4.13	3.20	2.93	2.95	2.60	2.40	2.60	2.35	2.10	
26.00	3.58	2.90	2.66	2.65	2.40	2.20	2.35	2.15	1.90	
28.00	3.19	2.60	2.42	2.40	2.15	2.00	2.13	1.95	1.70	
30.00	2.84	2.34	2.20	2.15	1.97	1.85	1.92	1.76	1.60	
32.00	2.32	2.13	2.00	1.95	1.80	1.70	1.75	1.62	1.50	
34.00	2.19	1.93	1.86	1.75	1.66	1.55	1.60	1.46	1.40	
36.00	1.78	1.73	1.70	1.62	1.50	1.40	1.45	1.35	1.30	
38.00				1.45	1.36	1.30	1.32	1.26	1.20	
40.00					1.25	1.20	1.20	1.15	1.10	

Weight reduction for load handling devices
 Gewichte der Lastaufnahmemittel
 Réductions de charge pour accessoires de levage

Hookblocks/Hakenflaschen/Aufhänger	
80 tonne 6 sheaves/Schleibbar/reas	1.00 tonne
45 tonne 4 sheaves/Schleibbar/reas	0.85 tonne
10 tonne 1 sheave/Schleibbar/reas	0.24 tonne
10.00 m Swingaway 10.00 m Gitterverlängerung 10.00 m extension treillis à repliage latéral	
Stowed/Schleib angeklappt/en position de transport	0.36 tonne
Erected/In Arbeitsstellung/en position de travail	2.84 tonne
10.00 - 17.70 m Telescopic Swingaway 10.00 - 17.70 m teleskopierbare Auslegerverlängerung 10.00 - 17.70 m extension treillis télescopique	
Stowed/Schleib angeklappt/en position de transport	0.49 tonne
Erected (retracted)/In Arbeitsstellung (einleislerkopiert)/en position de travail (retracté)	4.23 tonne
Erected (extended)/In Arbeitsstellung (ausleislerkopiert)/en position de travail (déployé)	5.83 tonne
Auxiliary boom nose/Zusatz-Auslegerkopf/Poutre de renvoi	0.10 tonne

Menny Ben Shimon
 Group Leader Engineering
 Operations No. 118953
 AVI CRANES