

MANIACCESS ■ 170 AETJ L

Self-propelled electric articulating boom lift

- Working height : 16.90 m
- Max. outreach : 9.40 m
- Up and over : 7.15 m
- Overall width : 1.75 m



170 AETJ L

Working height16.90 m
Platform height14.90 m
Horizontal outreach9.40 m
Up and over clearance7.15 m
Jib movement+70° / -70°
Basket rotation140°
Turret rotation355°

Platform capacity200 kg/2 peoples
External use45 km/h
 (Maximum allowed wind speed)
Basket size1.20 x 0.96 m

① Width1.75 m
② Length6.84 m
③ Stowed length (storage)5.12 m
④ Height1.97 m
⑤ Stowed height (storage)2.04 m

⑥ Turning radius inside1.97 m
⑦ Turning radius outside4.30 m
⑧ Turning radius outside (basket)5.60 m
⑨ Ground clearance0.14 m
⑩ Wheel base2.00 m
Drive speed5.0 km/h
Working speed0.6 km/h

Gradeability22%
Maximum slope accepted5% or 3°

Weight6 910 kg

Tires0.60 x 0.19 m
Wheel steer2 (front)
Wheel drive2 (back)

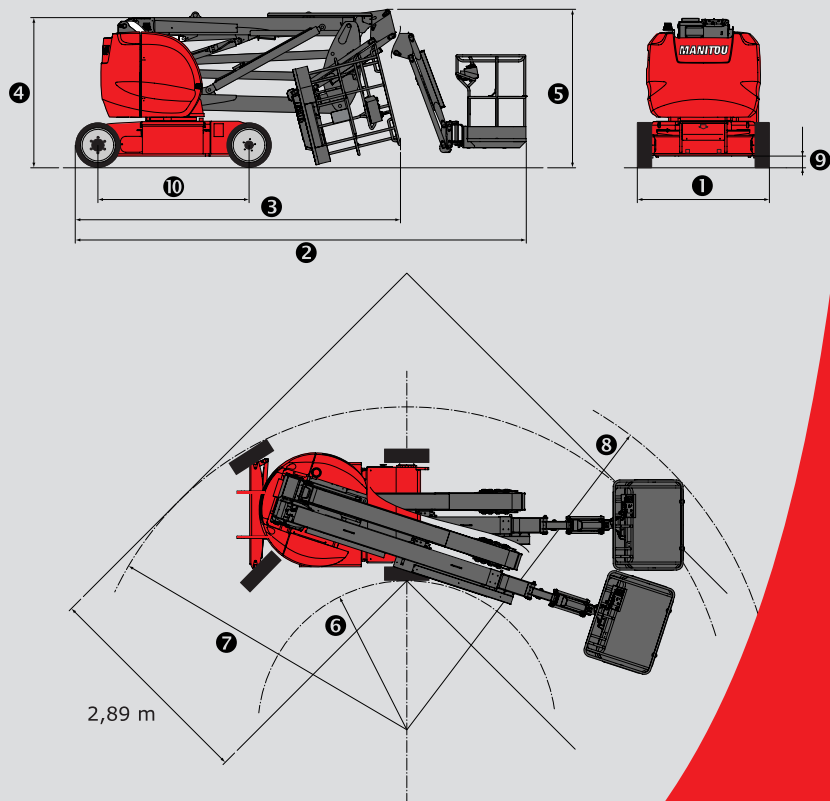
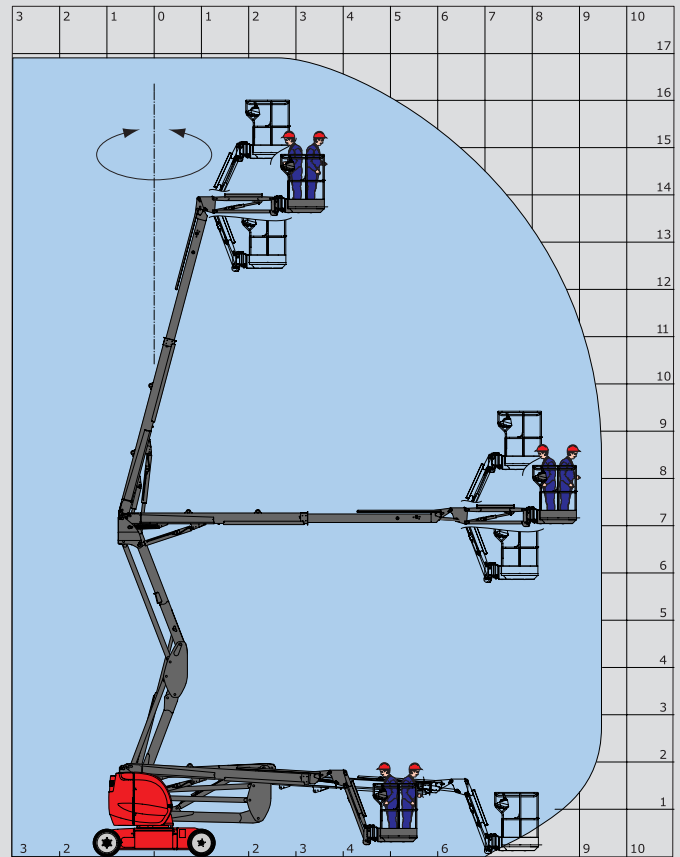
Batteries300 Ah / 2x24 V
Battery charger45 Ah/48 V

Standard equipment

- Protected control basket panel
- No marking tires
- Electrical battery traction
- Negative brakes
- Lifting brackets
- Hour meter
- Warning buzzer in the basket
- 220 V predisposal
- Voltage indicator
- Safety manual pump
- Basket with mesh floor
- Bus CAN technology
- Diagnostic help integrated
- Dual electrical motors
- Rubber tires
- Integrated charger

Options

- High capacity battery (360 Ah)
- Dual voltage charger 110 V / 230 V
- Working lights
- Electric plug in the platform with circuit breaker (230 V)
- Flashing light
- Drive alarm
- All motion alarm
- Cold conditions -20°C
- Air predisposal
- Water predisposal
- Specific painting
- Biodegradable oil
- 12" Wheels with foam filled tyres
- 12" Wheels with non marking foam filled tyres



The equipment supplied with each model may differ from that described in this leaflet. For more details, contact your MANITOU dealer.



MANITOU BF SA
 B.P. 249 - 44158 Ancenis Cedex - France
 Tel. : 33 2 40 09 10 11 / Export Department Fax : 33 2 40 09 10 97
 www.manitou.com

700346EN-C - 06/08

